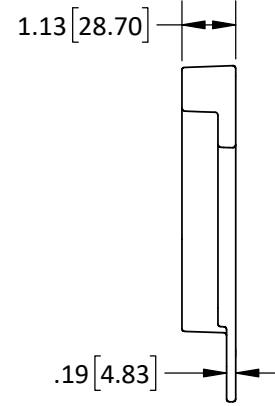
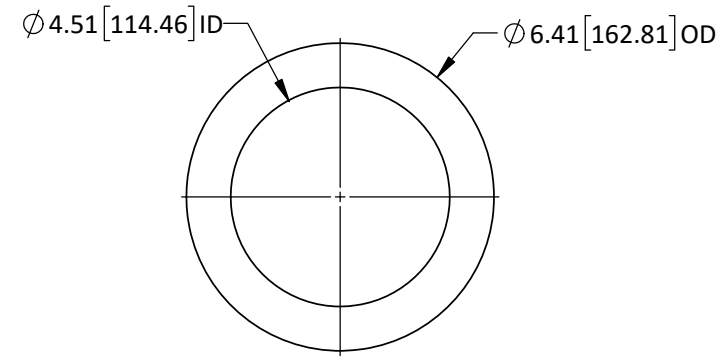


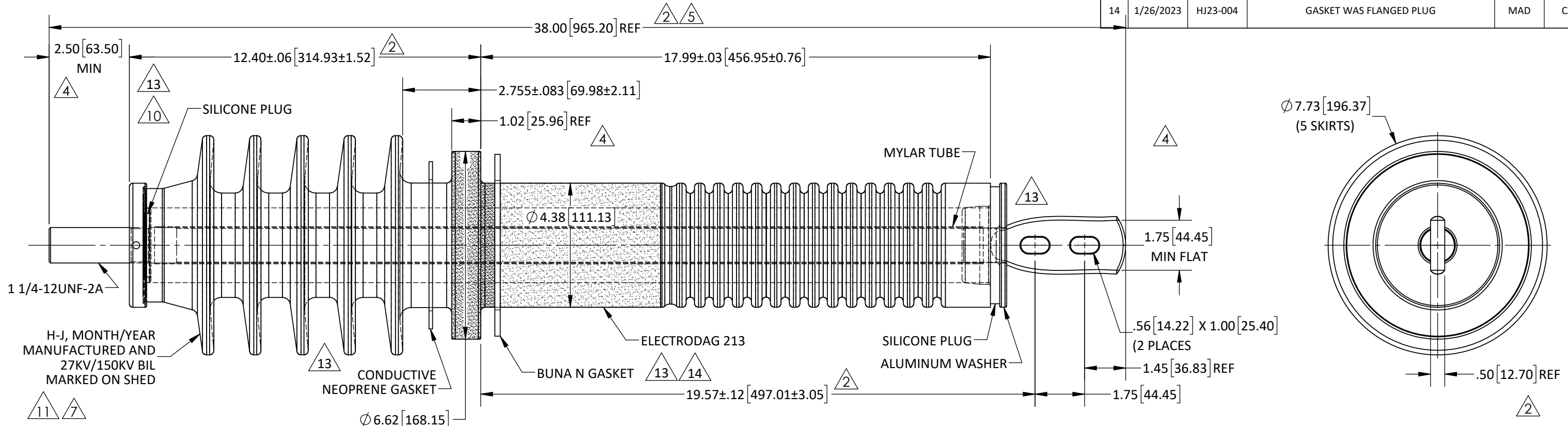
**ROOF MOUNTING FLANGE**  
 REQ'D: 2 PER ASSY  
 MAT'L: ALUMINUM



**BUSHING TO ROOF GASKET**  
 REQ'D: 1 PER ASSY  
 MAT'L: .19" ±.020" NITRILE BUNA N



REVISIONS					
REV.	DATE	ECN #	DESCRIPTION	BY	APP'D
1	11/1/01		CHG'D PART # FROM ASXXXX-025	CJT	LHE
2	12/20/01		REV DIMS AND TOLS	CJT	JFS
3	3/1/02	HJ02-033	CHG'D MIN CREEPAGE, FROM 27.75"AND18"	CJT	JFS
4	2/19/03	HJ03-012	ADDED DIMS	CJT	SP
5	4/8/03	HJ03-043	CHG'D OAL, WAS 37.31-TO-38.00	CJT	SP
6	10/23/03	HJ03-112	ADDED NOTE 6	CJT	SP
7	5/11/04	HJ04-088	REV DESCRIPTION. ADDED NOTES 7 & 8. ADDED SHED MARKING & CERT NOTE	JRM	SP
8	3/26/07	HJ07-035	REMOVED TENZALLOY	PWD	JM
9	4/21/2015	HJ13-309	ADDED DIMENSION	CLS	BLB
10	4/21/2015	HJ15-077	ADDED GASKET. SW REDRAW	TJF	BLB
11	2/29/2016	HJ16-028	REM LABEL NOTE. EDITED NOTE. REFORMATED DWG TO B-SIZE	TJF	BLB
12	4/17/2017	HJ17-093	CHG'D CERT #, WAS NRF-008-CFE-2000 -TO- CFE 53100-84	TJF	BLB
13	3/10/2022	PQI 10033090	CHANGED OUT STUD AND ALL GASKETS, ADDED NEOPRENE GASKET, SLOTS WERE 0.56 HOLES	MAD	CJT
14	1/26/2023	HJ23-004	GASKET WAS FLANGED PLUG	MAD	CJT



- PORCELAIN NOTES:**
1. WET PROCESS ELECTRICAL PORCELAIN
  2. GRAY GLAZE MUNSELL 5BG 7.0/0.4
  3. TOLERANCE ±3% WITH NOTHING LESS THAN ±.03, UNLESS OTHERWISE NOTED ON DRAWING
  4. 60HZ WITHSTAND: 60KV DRY  
50KV WET
  5. CREEPAGE: > 26.52" TOP  
> 17.54" BOTTOM
  6. TOP & BOTTOM TERMINALS ARE TIN PLATED
  7. APPROVED FOR COASTAL AND HIGH CONTAMINATION ENVIRONMENTS.
  8. FOR AIR-TO-AIR APPLICATION.

CERTIFIED BY CFE/LAPEM (CFE BE1C1701250)  
 BASED ON MEXICAN STANDARD CFE 53100-84

PROPRIETARY AND CONFIDENTIAL  
 THE INFORMATION CONTAINED IN THIS DRAWING IS THE SOLE PROPERTY OF H-J ENTERPRISES, INC. ANY REPRODUCTION IN PART OR AS A WHOLE WITHOUT THE WRITTEN PERMISSION OF H-J ENTERPRISES, INC. IS PROHIBITED.  
 REMOVE ALL BURRS & SHARP EDGES

TOLERANCES (EXCEPT AS NOTED) DIMENSIONS ARE SHOWN IN: in/mm	
DECIMAL	±.032/.8mm
FRACTIONAL	±
ANGULAR	±2°



**H-J ENTERPRISES, INC.**  
 3010 HIGH RIDGE BLVD. HIGH RIDGE, MO. 63049 USA  
 PHONE 1-636-677-3421 FAX 1-636-376-1915

**27KV/150KV BIL/1250A  
 PORCELAIN BUSHING ASSEMBLY**

MATERIAL SEE DRAWING

CHK'D CJT AP 12/12/13 DRAWING NO. AS1425-001

SCALE N.T.S.

7 12

11 7

11 10